



CR0 series

Retroreflective Polarized Area sensors



Retroreflective
Polarized Area Sensors

features

- Area height controlled 69 mm
- Maximum operative distance up to 4.5 m
- Minimum object detection diam. 6mm
- Two teach-in types: fine and standard
- Optical pitch 10mm
- Protection degree IP67
- Blanking function



web contents



- Application notes
- Photos
- Catalogue / Manuals




code description

CR 0 / 0 I - 1 V

series	CR	Retroreflective Polarized Area Sensor with aluminum compact housing
models	0	Model area detection : high 69 mm ; pitch 10 mm
output	0	Outputs select (NO/NC); IO Link mode
	B	Complementary output (NO +NC)
logic output	I	IO Link output
	B	NPN + PNP output
	N	NPN outputs
	P	PNP outputs
	T	Push-Pull output
housing material	1	Metallic housing
connections	V	Output cable length 25 cm with M12 pigtail

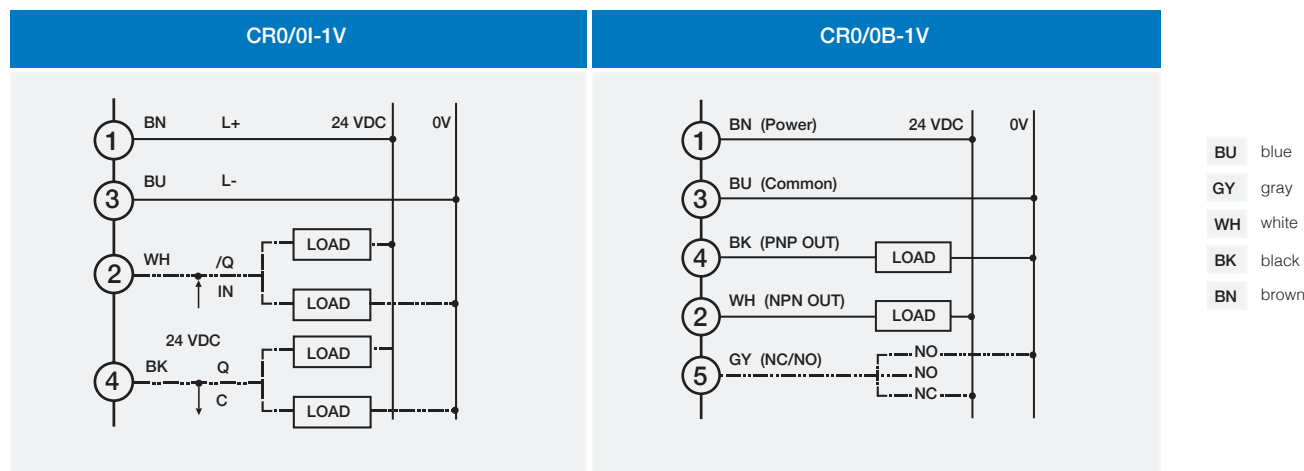
available models

pitch (mm)	detection height (mm)	working range (m)	response time (ms)	plug	poles	logic	output	models
10	69	0.2...4.5	1.2	M12	4	IO Link	IO Link	CR0/0I-1V
					5	PNP+NPN	NC/NO	CR0/0B-1V
						Push Pull	CR0/0T-1V	
					4	PNP	NO+NC	CR0/0P-1V
						NPN		CR0/0N-1V

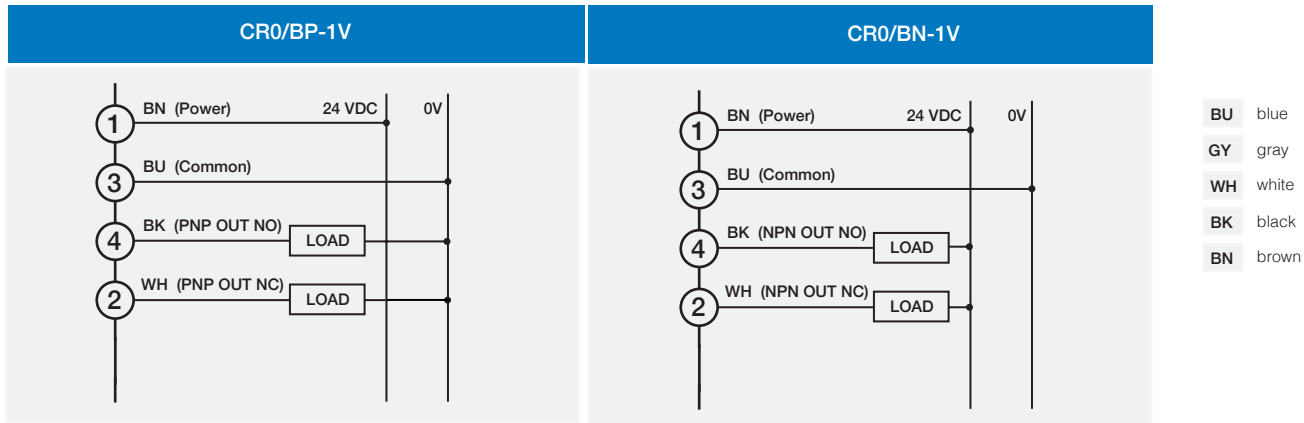
CR0	
	
nominal sensing distance (Sn)	0.2...4.5 m (RL106G - ExG 2)
emission	red (617nm)
operating voltage	16...30 Vdc
no load supply current	≤ 10%
no load supply current	100mA
load current	100mA
leakage current	≤ 100 μA (Vdc max)
output voltage drop	3 V max (100mA)
adjustment	Teach-in: fine < 3 sec; > 6 sec
output type	PNP; NPN; Push-pull; (NO+NC) compl. output (NO+NC)
switching frequency	400 Hz
time delay before available	300 ms
minimum object detection	3...6mm @2m RL106G ⁽¹⁾ 3...10mm@4,5m RL106G ⁽¹⁾
power supply protections	polarity reversal, transient
output protection	short circuit (autoreset)
interference external light	5000 lux (fluorescent lamp); 50000 lux (sunlight)
operative temperature range	-10°C....+55°C (without freeze)
temperature drift	10% Sr
LED indicators	green: power supply red: dark/light status
protection degree	IP67 (EN60529)
housing material	aluminium
optical material	PMMA

⁽¹⁾ 106G reflector 20 x 80mm (concealment)

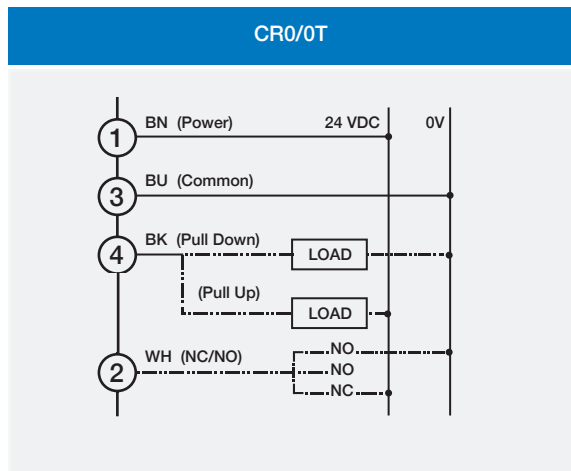
electric diagrams of the connections



electric diagrams of the connections



- BU** blue
- GY** gray
- WH** white
- BK** black
- BN** brown

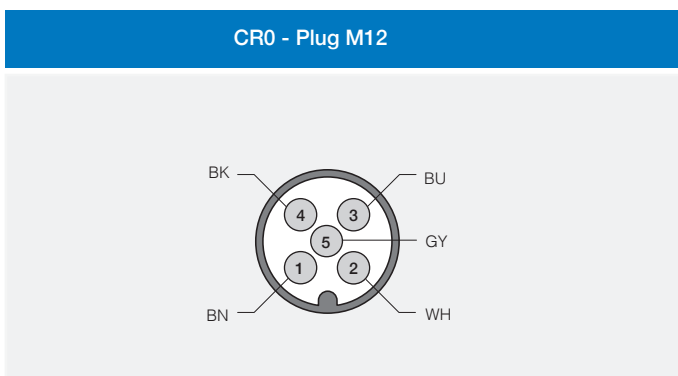


response diagrams

Distance from sensor to reflector

Reflector	Min (m)	Max (m)
RL 106G	0,2	5,5
RL 135	0,3	3,5
RL100D (150 x 40mm)	0,3	2,5

plugs

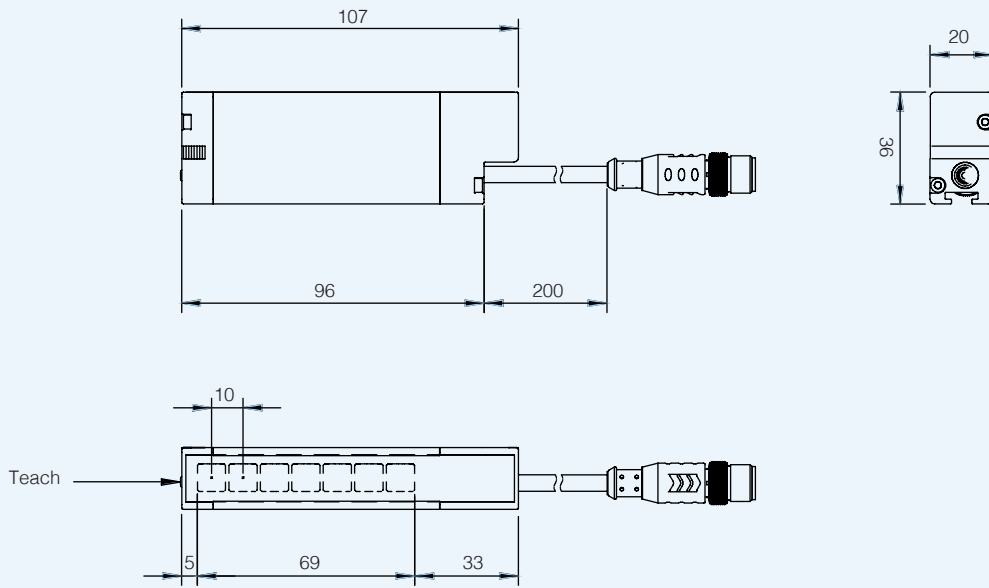




dimensions (mm)

Retroreflective
Polarized Area Sensors

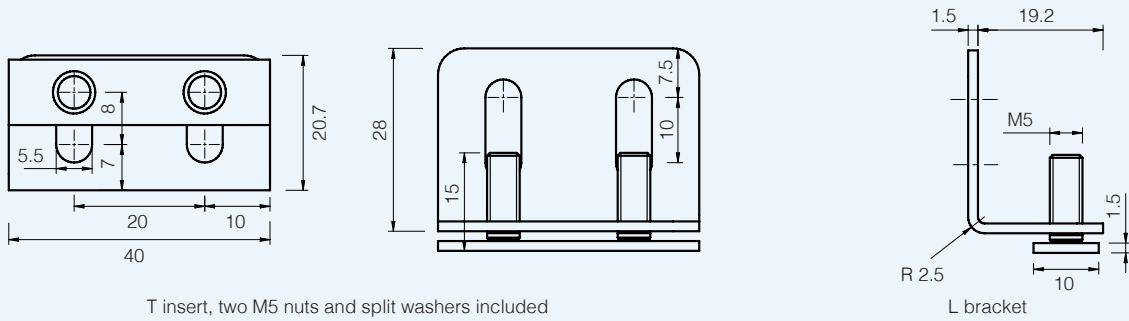
CR0/**_**



dimensions (mm)

accessories included with all models

accessories fixing kit ST151



RL 106G

product

dimensions (mm)

