



# FC7 series

Photoelectric fork sensors  
for labels detection



## features

- Dynamic Teach-in or control panel and manual adjustment with “+/-” buttons
- Minimum object detection 2 mm (gap between labels), 2 mm (label size)
- Infrared emission
- Light/Dark switching, selectable by button
- Switching frequency 10 kHz
- M8 connectors (4 pins): PNP or NPN, LO/DO selectable
- -20 ...+60 °C temperature range



## web contents

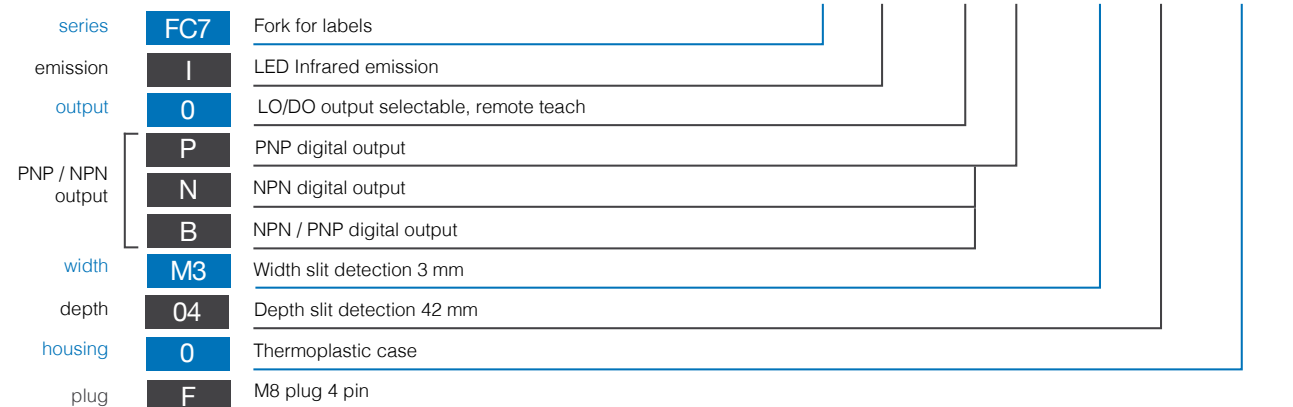
- Application notes
- Photos
- Catalogue / Manuals



Fork sensors  
for labels detection

## code description

FC7 I / 0 P - M3 04 - 0 F



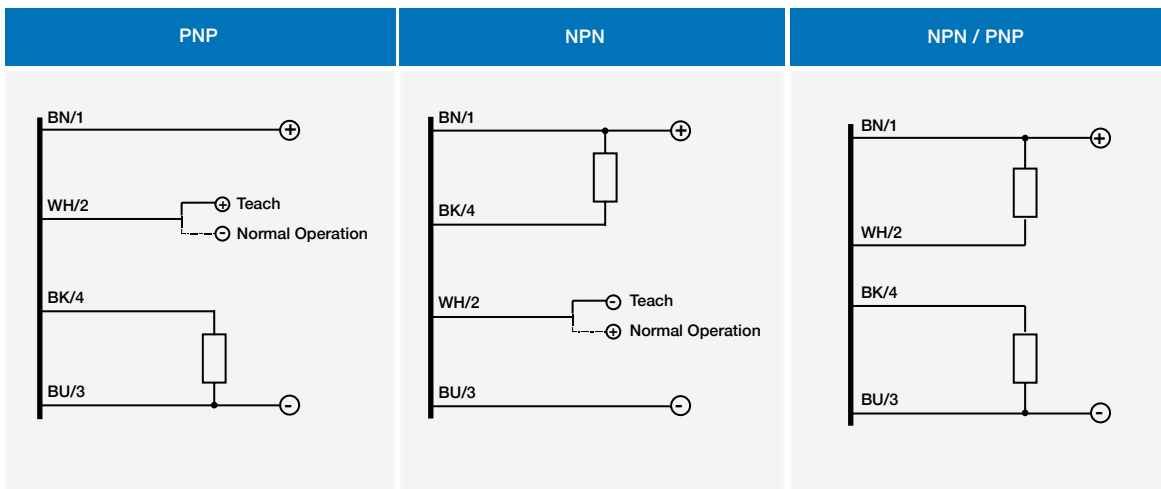
## available models

supply	installation	PNP	NPN	NPN / PNP
12...24 Vdc	M8 4 pins	FC7I/0P-M304-0F	FC7I/0N-M304-0F	FC7I/0B-M304-0F



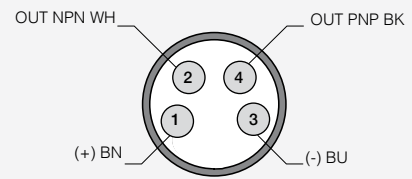
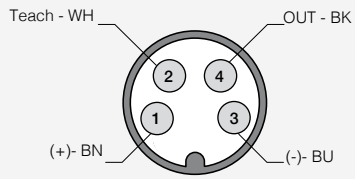
FC7I/**_**_**	
nominal sensing distance	3 mm
minimum length of label	2 mm
minimum distance between 2 labels	2 mm
slot depth detection	42 mm
slot width detection	3 mm
emission	infrared
maximum flow rate	200 m/min
detection accuracy	+/- 50 µm at 150 m/min
operating voltage	12 ... 24 Vdc (with protection against reverse polarity)
max ripple content	10%
no-load supply current	35 mA
load current	100 mA
output voltage drop	≤ 2 V @ IL = 100 mA
switching frequency	10 kHz
power on delay	50 µs max
power supply protections	polarity reversal, transient
temperature range	- 20 ...+ 60 °C
storage temperature	- 30 ...+ 80 °C
protection degree	IP65, IEC (EN60529)
housing material	PA
plug	M8 4 pins
weight (approximate)	35 g

## electrical diagrams of the connections



M8 FC7/\*\*\_\*\*\_\*\*

M8 FC7/0B-\*\*-\*\*



dimensions (mm)

FC7/\*\*\_\*\*\_\*\*

