

Manufactured in line with the requirements of MIL 18546 and IEC 115, designed for direct heatsink mounting with thermal compound to achieve maximum performance.



- High Power to volume
- Wound to maximise High Pulse Capability
- Values from R1 to 30K
- Custom designs welcome

Characteristics

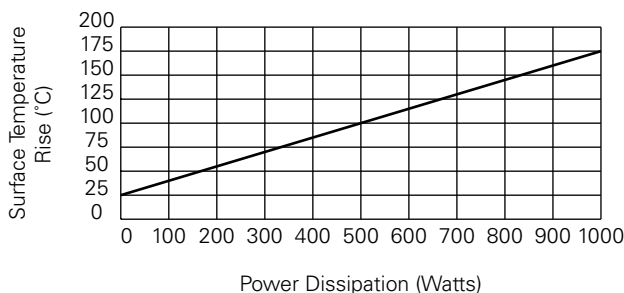
Tolerance (Code):	Standard $\pm 5\%$ (J). Please contact Arcol for lower requirements
Tolerance for low Ω values:	$\leq 1R$ 100ppm, 1-50R 50ppm, $\geq 50R$ 25ppm
Temperature coefficients:	R1 - 30K
Insulation resistance (dry):	10,000 M Ω minimum
Power derating:	At high ambient temperatures dissipation derates linearly to zero at 200°C
Low inductive (NHS):	Specify by adding N before HSW code, e.g. NHSW600
NHS ohmic value:	Max value for NHSW600 is 10K ohms

Electrical Specifications

Power rating on standard heat-sink @ 25C	Resistance range ohms	Limiting element voltage DC/AC rms	Voltage proof AC peak	Stability ΔR % per 1000hrs	Approx weight gms	Typical surface temp. rise °C/W std. heat sink mounted	Standard heatsink (aluminium) RTH
600 watts	R1 - 30K	2200	3000	3%	625	0.19 °C/W	0.04 °C/W

Power Rating

600 watts mounted on 3750cm² x 3mm aluminium plate with 25°C water flowing at a rate of 2 litres per minute.



Ordering Procedure

Standard Resistor To specify standard: Series, Watts, Ohmic Value, Tolerance Code, e.g.: HSW600 10R J
Non Inductive Resistor To specify add N, e.g.: NHSW600 2R2 J

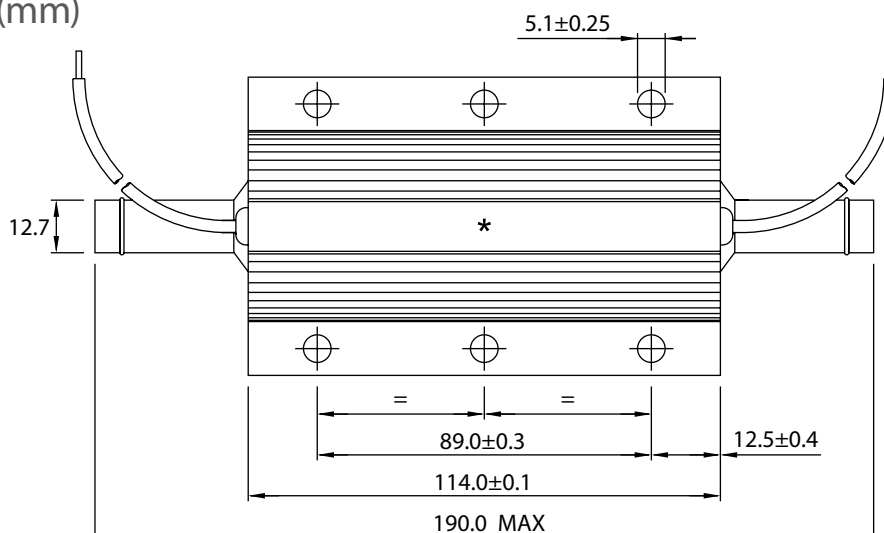
ARCOL UK Limited,
 Threemilestone Ind. Estate,
 Truro, Cornwall, TR4 9LG, UK.
 T +44 (0) 1872 277431
 F +44 (0) 1872 222002
 E sales@arcolresistors.com

www.arcolresistors.com

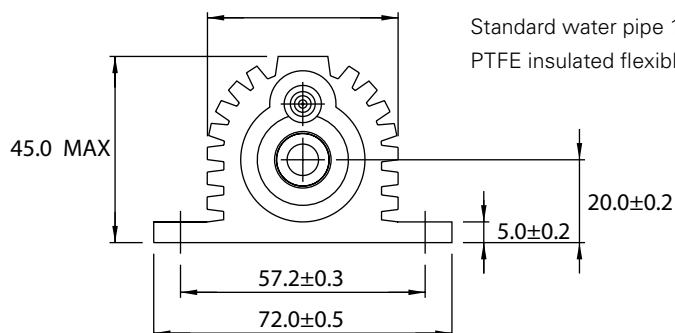
The information contained herein does not form part of a contract and is subject to change without notice. Arcol operate a policy of continual product development, therefore, specifications may change.

It is the responsibility of the customer to ensure that the component selected from our range is suitable for the intended application. If in doubt please ask Arcol.

Dimensions (mm)



* SURFACE TEMPERATURE MEASURING POINT



Standard water pipe 12.7 OD in beaded copper.
PTFE insulated flexible lead - 19/0.45.