



# PA series

Ø 3 mm cylindrical miniaturized



Ø 3 mm cylindrical miniaturized

## features

- Extremely reduced dimensions: Ø 3 mm x 22 mm length
- Supply voltage 10...30 Vdc, output current 100 mA
- Led status indicator
- IP 67 housing protection
- Complete protection against electrical damages



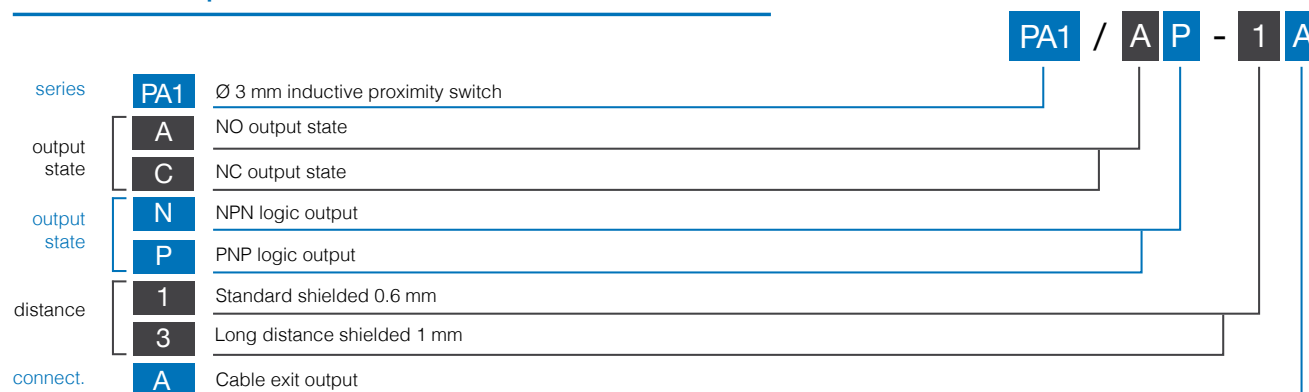
## web contents



- Application notes
- Photos
- Catalogue / Manuals





## code description



## available models

diameter	installation	distance	plug	distance (mm)	NPN/NO	NPN/NC	PNP/NO	PNP/NC
Ø 3	shielded	standard	cable	0.6	PA1/AN-1A	PA1/CN-1A	PA1/AP-1A	PA1/CP-1A
		long distance		1	PA1/AN-3A	-	PA1/AP-3A	-

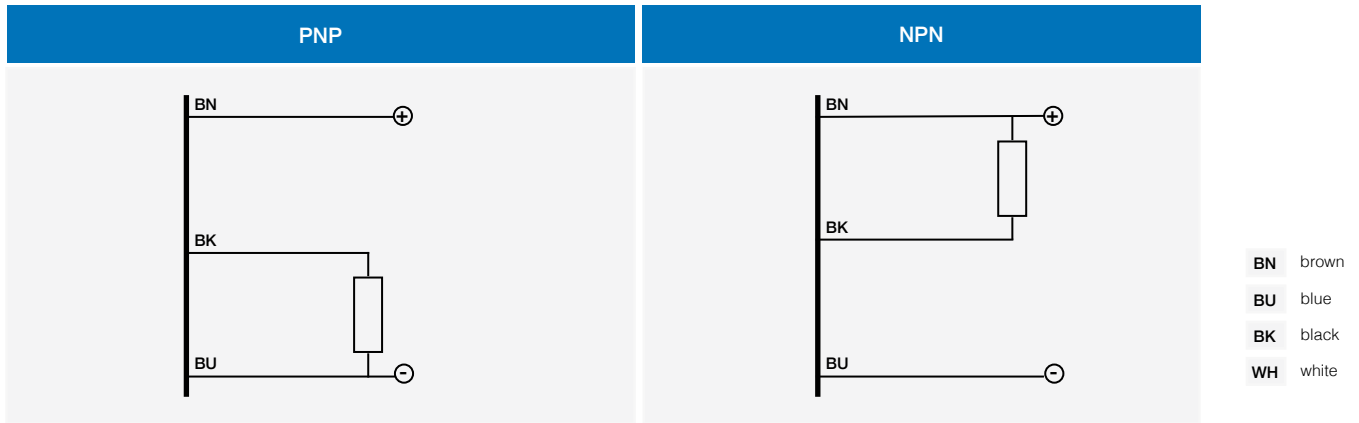
Ø 3 mm cylindrical miniaturized

	PA1/**-1A	PA1/**-3A
		
nominal sensing distance	0,6 mm	1 mm
hysteresis	≤ 10% Sr	
standard target	3 x 3 x 1 mm	
repeatability	2%	
operating voltage	10...30 Vdc	
max ripple content	≤ 20%	
output type	NPN or PNP - NO or NC	
output current	≤ 100 mA	
output voltage drop	≤ 2,0 V @ 100 mA	
no-load supply current	≤ 10 mA	
leakage current	≤ 0.1 mA	
switching frequency	≤ 5000 Hz	≤ 3000 Hz
power on delay	10 ms	
ambient temperature range	-25...+70 °C	
temperature drift of Sr	≤ 10%	
short-circuit protection	●	
voltage reversal protection	●	
induction protection	●	
shocks and vibration	IEC 60947-5-2	
weight	16 g	
protection degree	IP 67	
EMC	in conformity with the EMC Directive according to IEC 60947-5-2	
housing material	stainless steel	
active head material	polyester	
connection	2 m PUR cable	

## correction factors

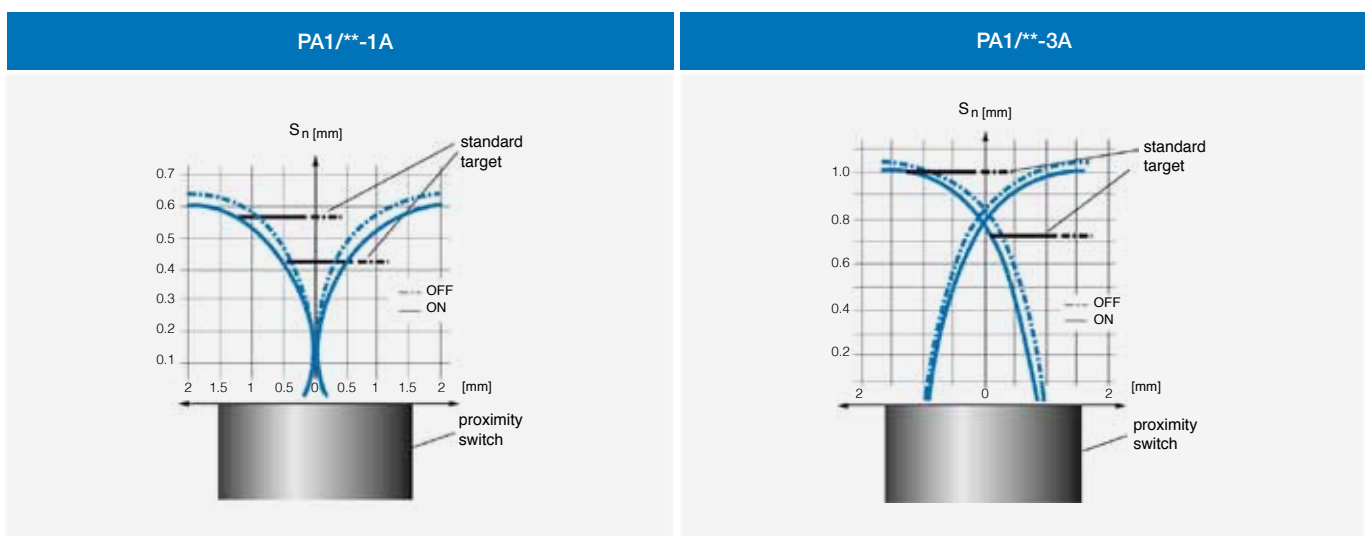
steel FE 360		copper		aluminium		brass		stainless steel	
PA1/**-1*	PA1/**-3*	PA1/**-1*	PA1/**-3*	PA1/**-1*	PA1/**-3*	PA1/**-1*	PA1/**-3*	PA1/**-1*	PA1/**-3*
1.0	1.0	0.50	0.45	0.55	0.50	0.65	0.60	0.80	0.80

# electrical diagrams of connections

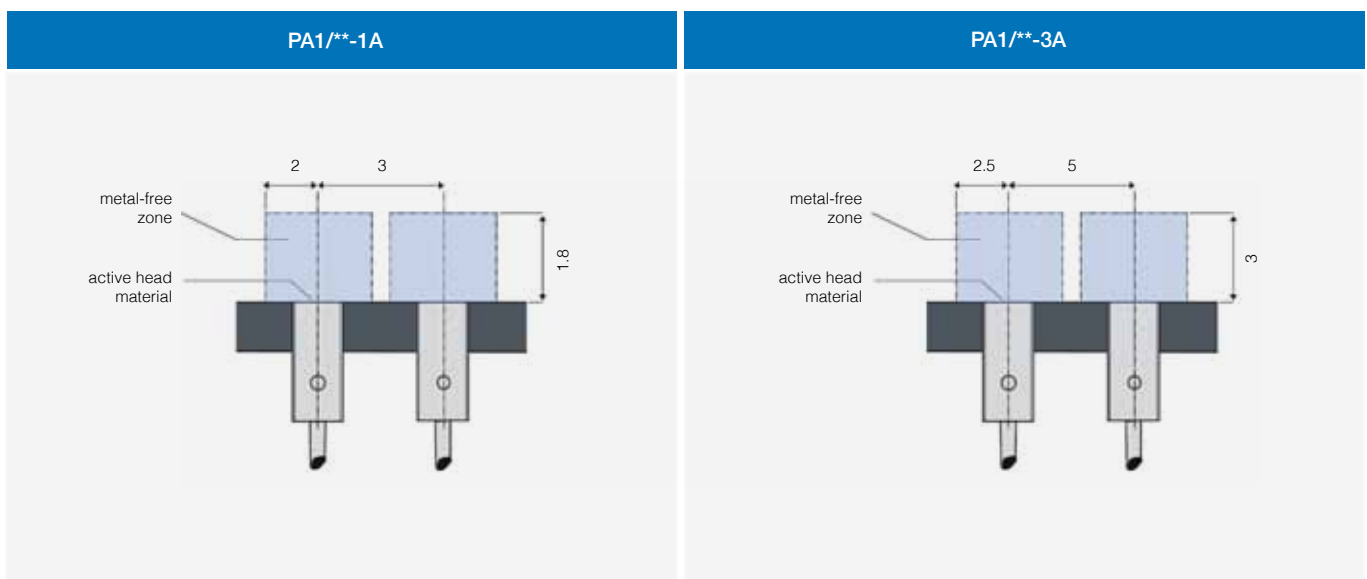


↗  
 Ø 3 mm cylindrical  
 miniaturized

# response diagram



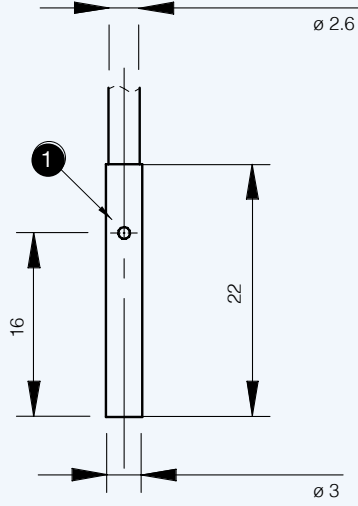
# installation



PA

Ø 3 mm cylindrical  
miniaturized

PA1/\*\*-A



1 LED