

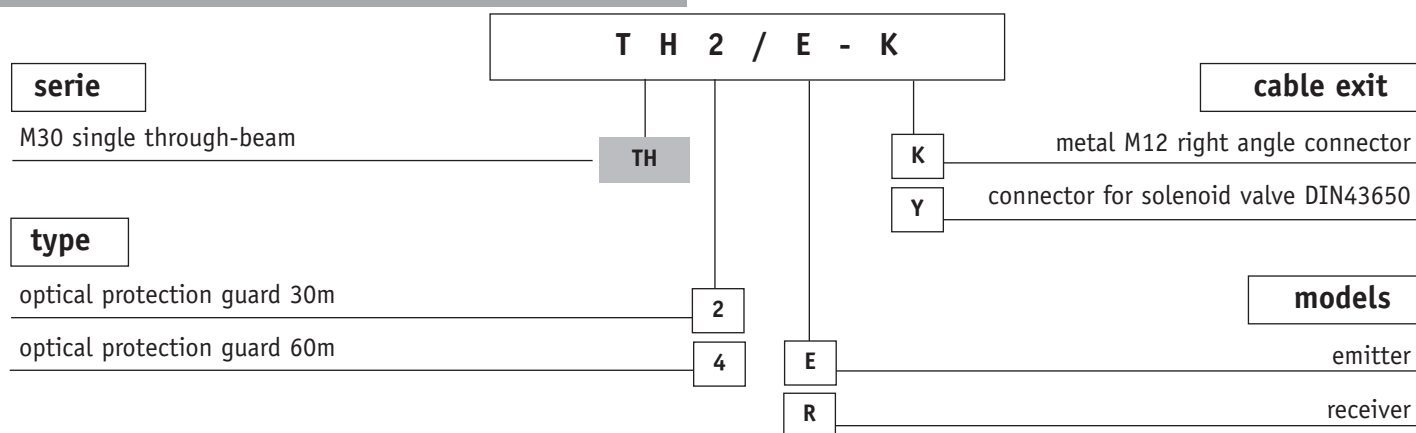
M18 single-beam safety sensors (category 2)

to be used only with the SBCR02 or SBCR03 control units

- 2 models for optical protection (TH2, TH4)
- Sensing range up to 60m
- EN61496 standard certification as a category 2 device
- LED indicators available on all models



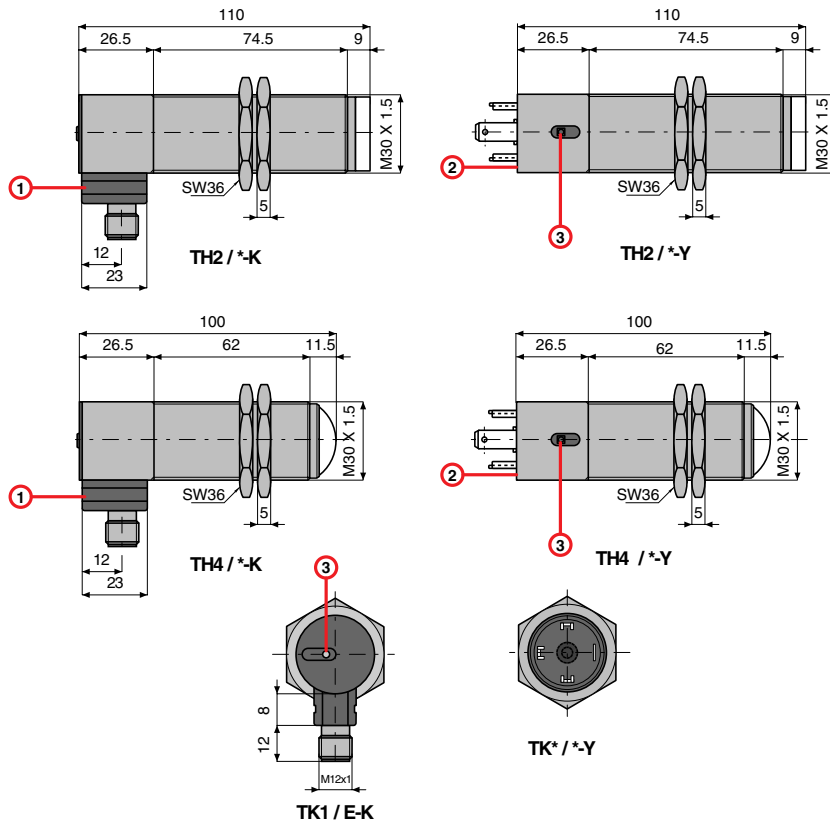
Ordering system



Specifications

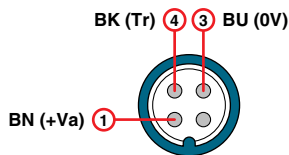
Model	TH2	TH4
Type	M30 optical protection	
Nominal distance	30m	60m
Minimum detectable target	Ø24mm	
Emission	red	
Angular width of the beam	±4°	±2°
Supply voltage	10...30Vdc	
No-load supply current	50mA(emitters); 25mA(receivers)	
Electrical supply protections	polarity reversal	
Electrical output protections	overvoltage, overload and short circuit	
Protection degree	IP67	
Temperature range	-20°...+60°C	
Storage temperature	-25°...+75°C	
Ambient humidity	15%...95% (without condensation)	
Housing material	nickel-plated brass	
Optic's material	glass	
Tightening torque	100Nm	
Weight (approx.)	2x220g	

Dimensions

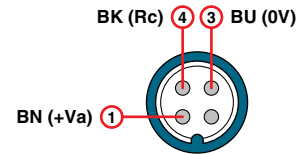


1. Right angle metal M12 connector output
2. Connector output for solenoid valve DIN43650
3. Green LED (emission: TH2/E e TH4/E)
Yellow LED (light: TH2/R e TH4/R)

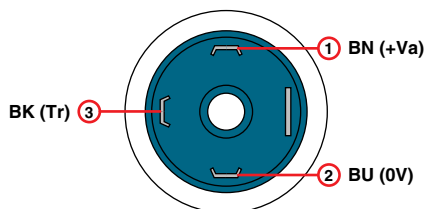
Wiring diagrams



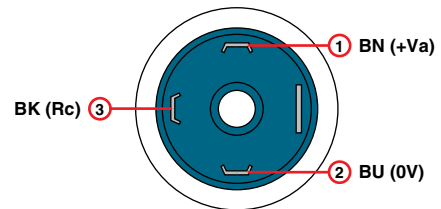
M12 male connector for K output emitters



M12 male connector for K output receivers



M12 male connector for Y output emitters



M12 male connector for Y output receivers