



UR series

Control unit for miniaturized sensors



Control unit for miniaturized sensors

features

- The unit allows the mounting of miniature pair of sensors suitable for very harsh environments (DG series)
- LED indicators: alignment (stability), operating voltage, alarm and output state
- Operating voltage AC or DC
- Relay output and relay alarm output
- Double timer with independent adjustments
- Sensitivity adjustment
- Possibility of mounting on panel



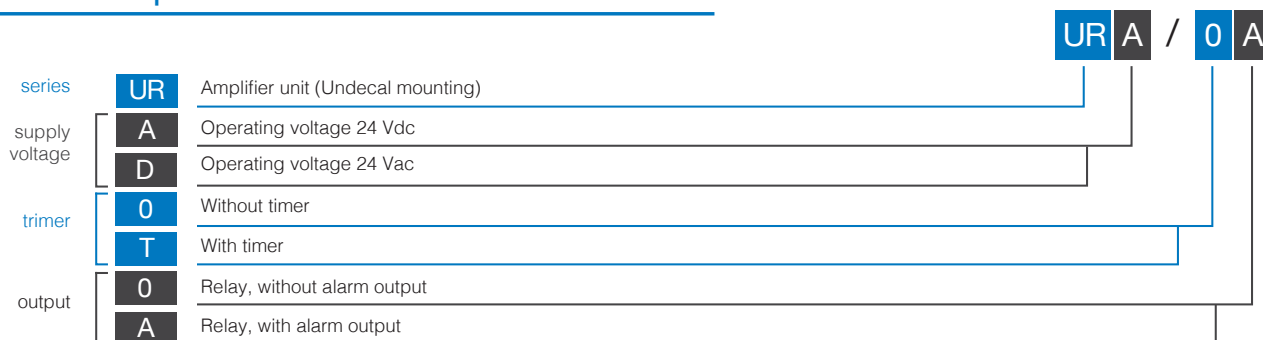
web contents



- Application notes
- Photos
- Catalogue / Manuals



code description



available models

supply voltage	relay without alarm output		relay with alarm output	
	with timer	without timer	with timer	without timer
24 Vdc	URA/T0	URA/00	URA/TA	URA/OA
24 Vac	URD/T0	URD/00	URD/TA	URD/OA



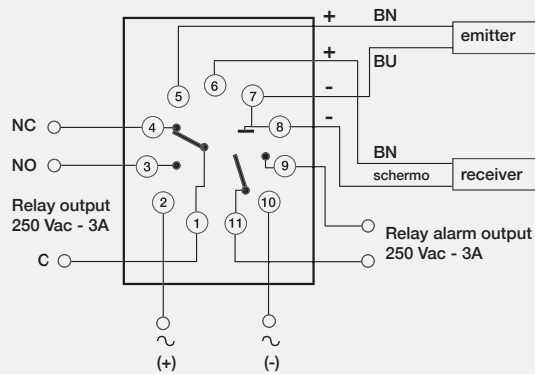
technical specification

Control unit for
miniaturized sensors

	URA/**	URD/**
operating voltage	24 Vdc	24 Vac
frequency	-	50...60 Hz
ripple	≤ 10 %	-
voltage tolerance	± 20 %	+ 10 %...- 15 %
no-load supply current	≤ 100 mA	1,5 VA
operating output	relè NO + NC	
alarm output	relè NO	
max. output voltage	250 V	
max. output current	3 A (resistive load)	
temperature range	- 10°C...+ 50°C (without freeze)	
switching frequency	10 Hz	
electrical life	1.5 x 10 ⁵ operations	
timer functions	3s delay ON and delay OFF selectable with Dip-switch and adjustables separately	
operating time (relay de-energized)	40 ms max	
reset time (relay energized)	40 ms max	
protection degree	IP20 (EN60529)	
EMC	conforming to the EMC directive according with EN 60947-5-2	
LED indicators	green (supply), red (output state), green (stability), red (alarm)	
housing material	Noryl 90 V - 0	
weight (approximate)	110 g	

electrical diagrams of the connections

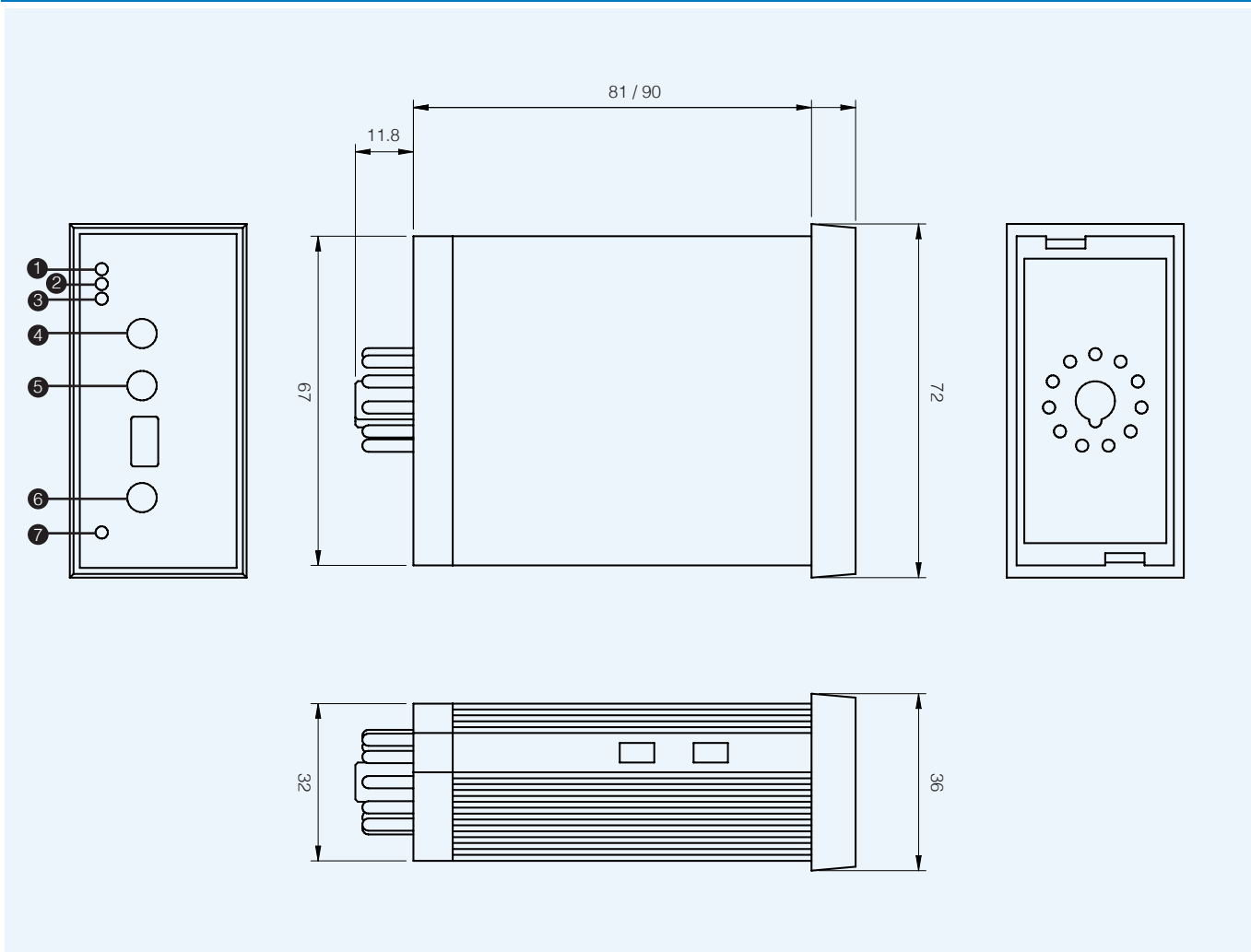
UR*/**



- BN** brown
- BU** blue
- BK** black
- WH** white
- PK** pink
- GY** gray



UR*/**



Holes dimensions for mounting on panel: 68x33 mm.

Undecal Socket (STZ3) supplied separately.

Legend:

- ① Green LED (supply)
- ② Red LED (alarm)
- ③ Red LED (output state)
- ④ Delay OFF adjustment trimmer
- ⑤ Delay ON adjustment trimmer
- ⑥ Sensitivity adjustment trimmer
- ⑦ Green LED (stability)