



VT series

Cylindrical M30 in AC inductive sensors



features

- Output: cable and M12 plug cable exit
- Models with 2 wires
- IP 67 protection degree
- Multivoltage 20 ...253 Vac



web contents



- Application notes
- Photos
- Catalogue / Manuals



Cylindrical M30 in AC

code description



VT 2 / A 0 - 1 B

series	VT	AC M30 inductive proximity switch
housing	2	Standard body
output state	A	NO output state
	C	NC output state
version	0	2 wires version
distance	1	Shielded standard 10 mm
	2	Unshielded standard 15 mm
connect.	B	Cable exit with tang
	H	M12 connector exit

available models

diameter	installation	distance	connection	distance (mm)	NO	NC
M12	shielded	standard	wire with tang	10	VT2/A0-1B	VT2/C0-1B
			M12		VT2/A0-1H	VT2/C0-1H
	unshielded		wire with tang	15	VT2/A0-2B	VT2/C0-2B
			M12		VT2/A0-2H	VT2/C0-2H

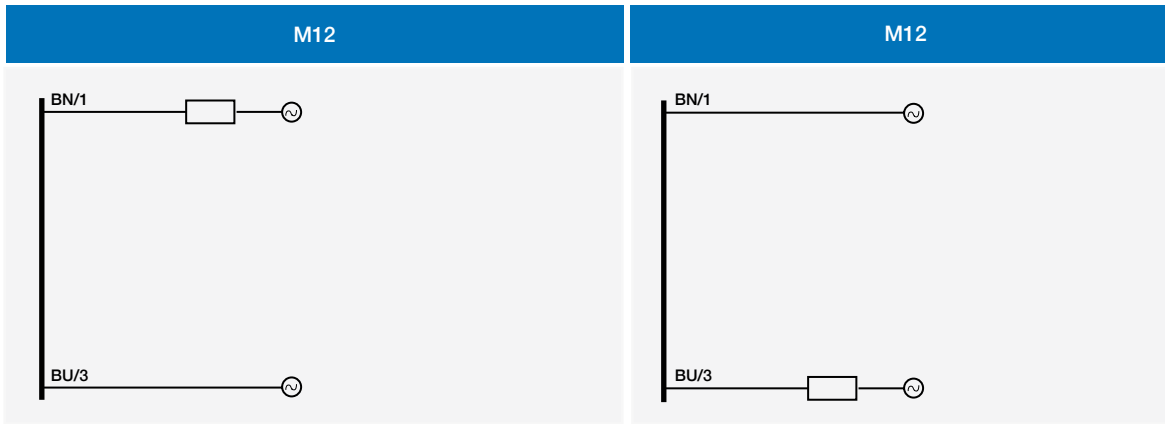
VT

	VT2/**-1*	VT2/**-2*
		
nominal sensing distance	10 mm	15 mm
operating distance	0 ...8.1 mm	0 ...12.1 mm
hysteresis	1 ... 20%	
standard target	12x12 mm FE360	
repeatability	5%	
operating voltage	20 ... 253 Vac – 50/60 Hz	
inrush current	7A (Ton = 10 ms)	
output current	5 ... 300 mA RMS	
output type	TRIAC – NO or NC	
leakage current	1 mA RMS max.	
switching frequency	25 Hz	
power on delay	200 ms	
ambient temperature range	-25° ... +70°C	
temperature drift of Sr	10% Sr	
short-circuit protection	-	
LEDs	yellow (output energized)	
protection degree	IP 67 ⁽¹⁾	
EMC	in conformity with the EMC Directive according to IEC 60947-5-2	
shocks and vibrations	IEC 60947-5-2	
housing material	nickel-plated brass	
active head material	PBT	
connection	cable or M12 plug	
weight	30 g M12 connector 100 g cable	
tightening torque	50 Nm	

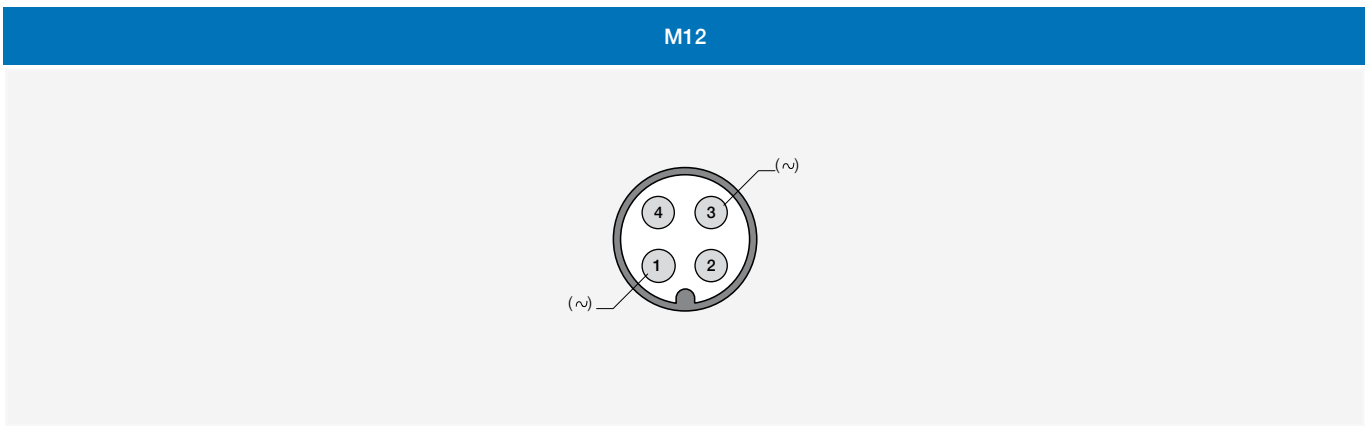
⁽¹⁾ Protection guaranteed only with plug cable well mounted

correction factors

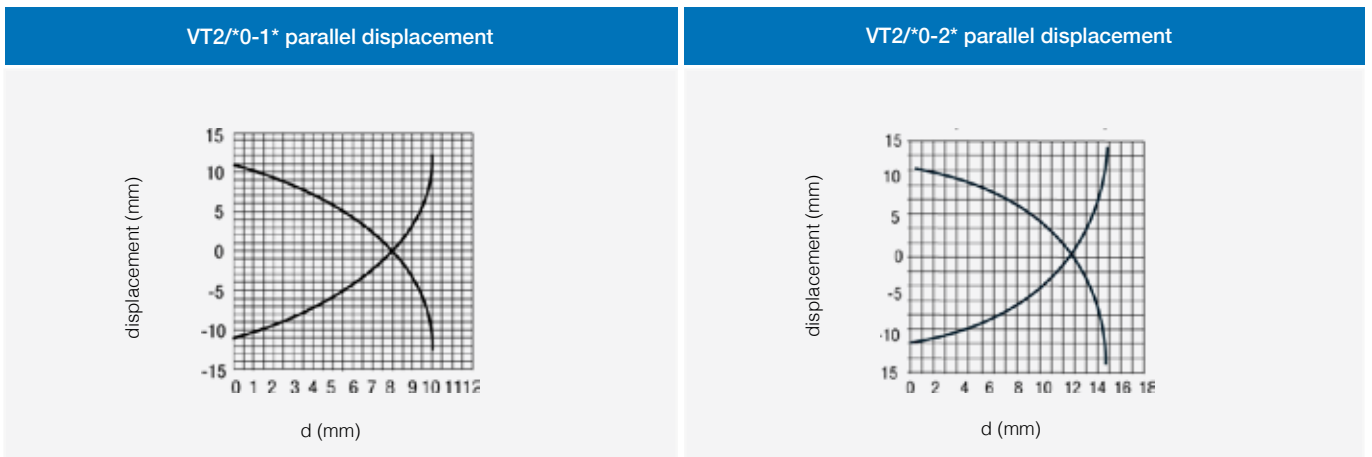
code	steel FE 360	copper	alluminium	brass	stainless steel
VT2/**-1*	1	0,40	0,50	0,55	0,75
VT2/**-2*		0,45		0,60	0,80



plug



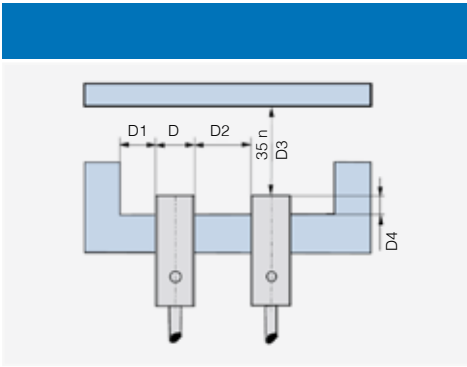
response diagram





installation

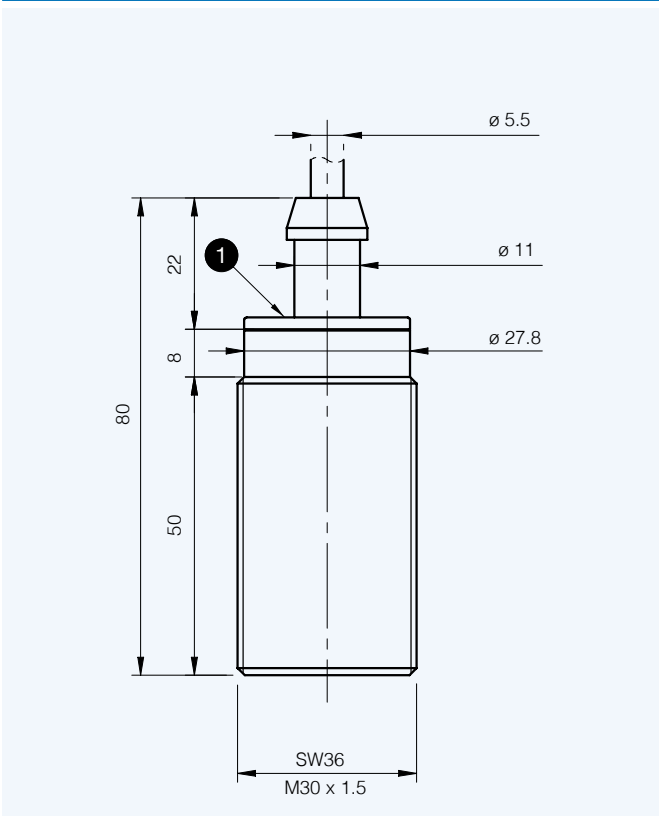
Cylindrical M30 in AC



code	D4	D1	D2	D3
VT2/**-1*	≥ 1.2 mm	≥ 2 mm	≥ 12 mm	≥ 6 mm
VT2/**-2*	≥ 5 mm	≥ 4 mm	≥ 24 mm	≥ 12 mm

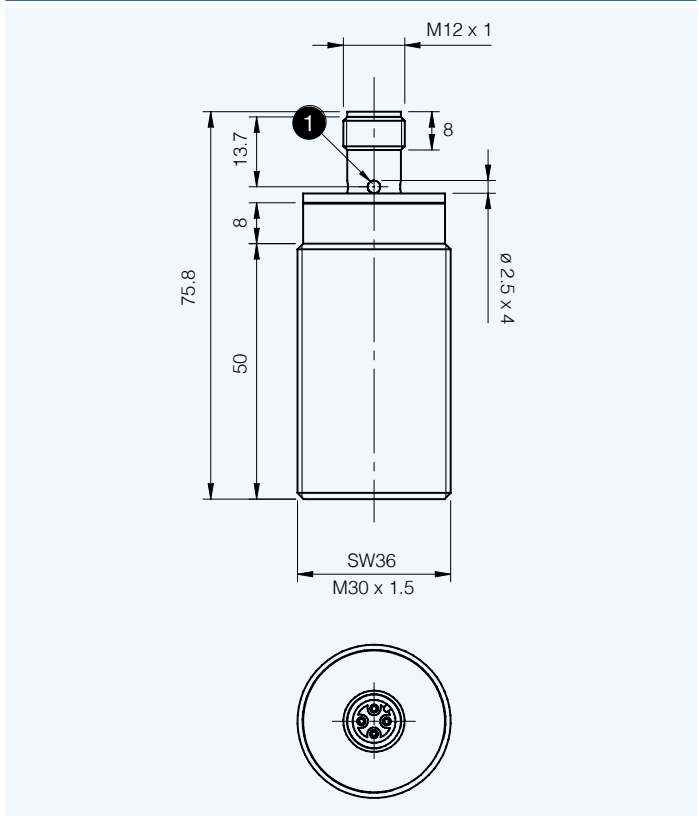
dimensions

VT2/**-1B



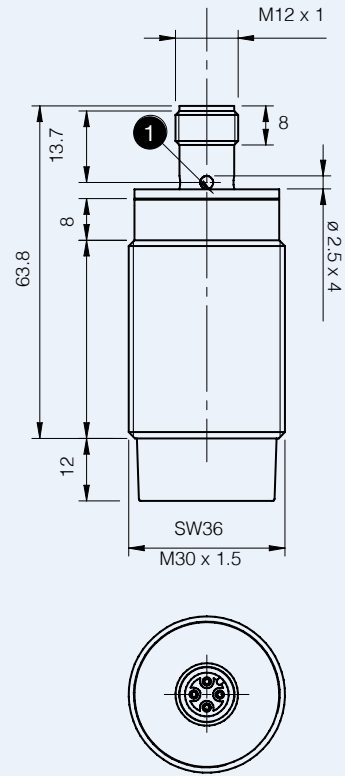
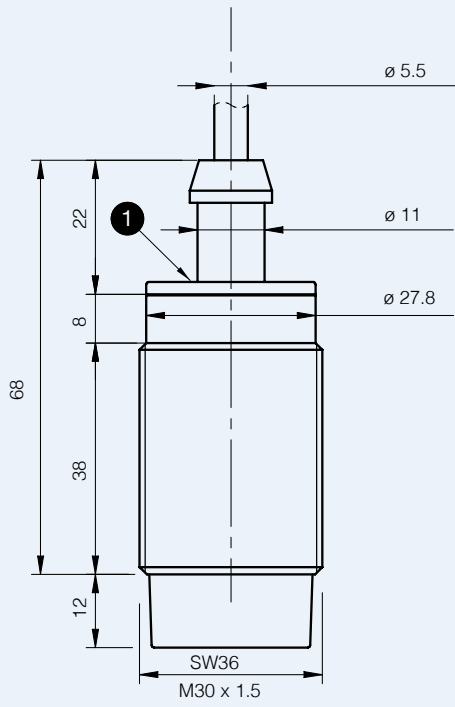
1 LED

VT2/**-1H



VT2/**-2B

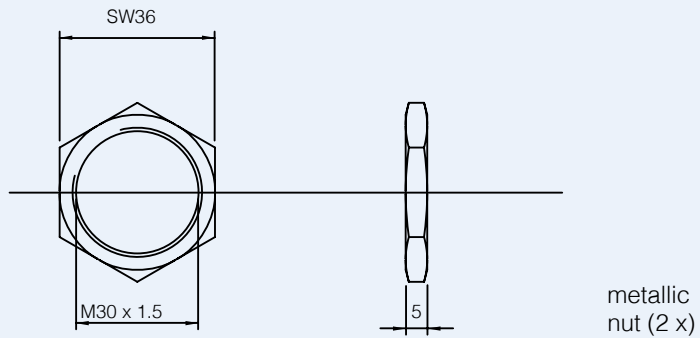
VT2/**-2H



1 LED

dimensions (mm)

accessories included in all models



Cylindrical M30 in AC

VT