



# Micro Detectors

Italian Sensors Technology



Application:  
water level detection  
in whirlpool baths

CQ50, CQ55  
Capacitive Sensors



Proximity Sensors

Application note

CAT3E001262601

Application note - cubic capacitives models - English - Ed.01/2012



## MARKET SECTORS

DESCRIPTION OF THE MARKET SECTOR AND ITS TYPICAL ACTIVITY

## APPLIED SOLUTION

TECHNICAL FEATURES & SPECIFICATIONS

## Pools

Vending machines distributing hot beverages like milk, coffee or tea, need to detect the level of powders that have to be mixed with hot water.

M.D. Micro Detectors' Capacitive Sensors can detect the level granting the correct distribution of products.

		CQ50	CQ55
dimensions		7 x 30 x 50 mm	15 x 35 x 55 mm
standard shielded		—	—
standard unshielded		—	—
long distance shielded		5/6/7/10 mm	4...25 mm
long distance unshielded		—	—
standard housing		●	●
short housing		—	—
miniaturized housing		—	—
supply voltage	Vdc	●	●
	Vac	—	—
output type	NPN - NO	●	—
	NPN - NC	●	—
	PNP - NO	●	—
	PNP - NC	—	—
	PNP - NO + NC	—	●
	NPN - NO + NC	—	●
	DECOU*	—	—
	SCR	—	—
	0...10 V	—	—
4...20 mA	—	—	
temperature range		-0°C...+60°C	-25°C...+80°C
protection degree		IP67	IP67
housing material		Noryl	PC
active head material		Noryl	PC
output	cable	●	●
	M8 plug	—	—
	M12 plug	—	●
other certifications		CE	UL LISTED CE

## CQ50

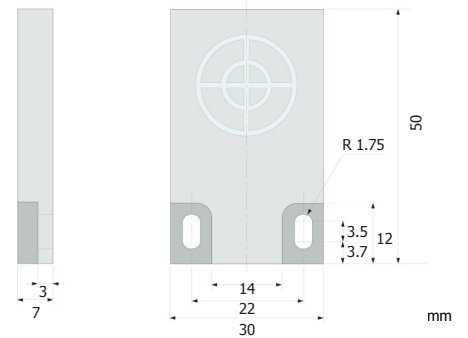
- DC supply voltage
- High noise immunity
- Adjustable sensitivity

## CQ55

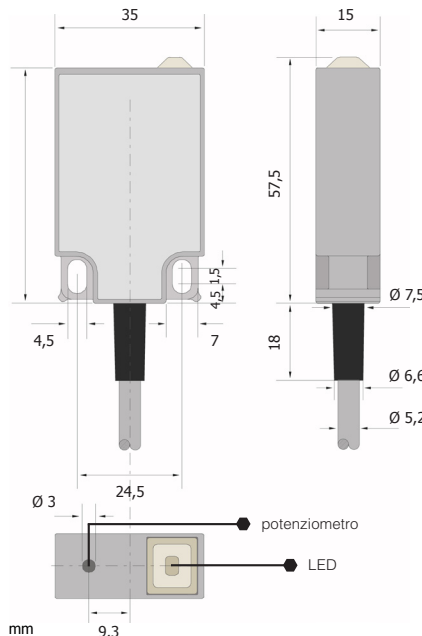
- Capacitive water level sensor

## DIMENSIONS

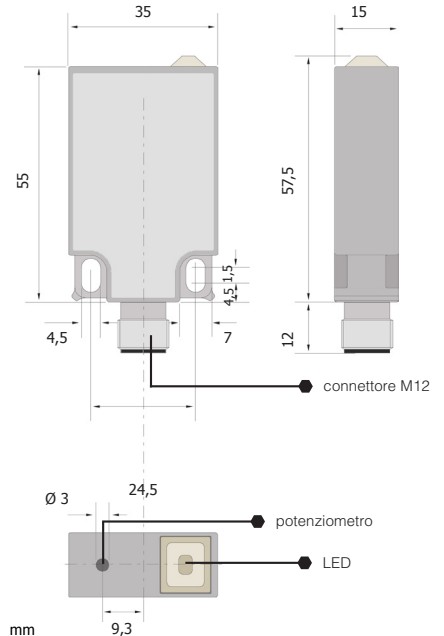
CQ50/\*\*-A (cable exit)



CQ55/\*\*-3A (uscita a cavo)



CQ55/\*\*-3E (uscita a connettore)



ООО «ИНКОЛ» - дистрибьютор  
Micro detectors в России

Web site: <https://incoll.ru>  
E-mail: [incoll@incoll.ru](mailto:incoll@incoll.ru)

Copyright:

M.D. Micro Detectors S.p.A.  
con Unico Socio

Strada S. Caterina 235  
41122 Modena - Italy

tel. + 39 059 420411  
fax + 39 059 253973  
info@microdetectors.com  
www.microdetectors.com

