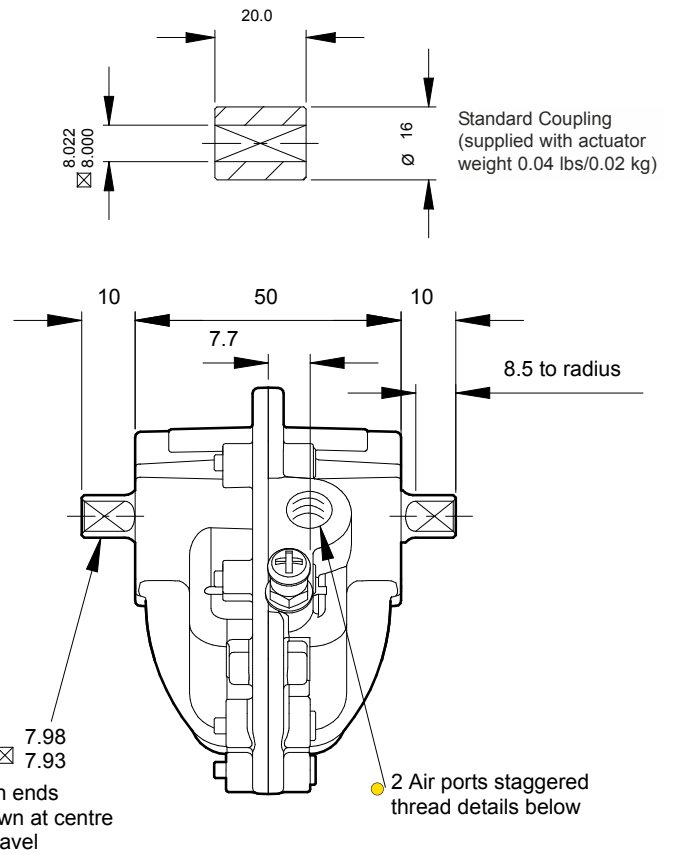


Model 02



Visual Indicator Standard

Specification

Output Torque

106 lbf ins/12.1 Nm
at 100 psi/7 bar

Angle of Travel (adjustable)

80° - 100°
(restricted travel versions available)

Displaced Volume

1.89 in³/31 cm³

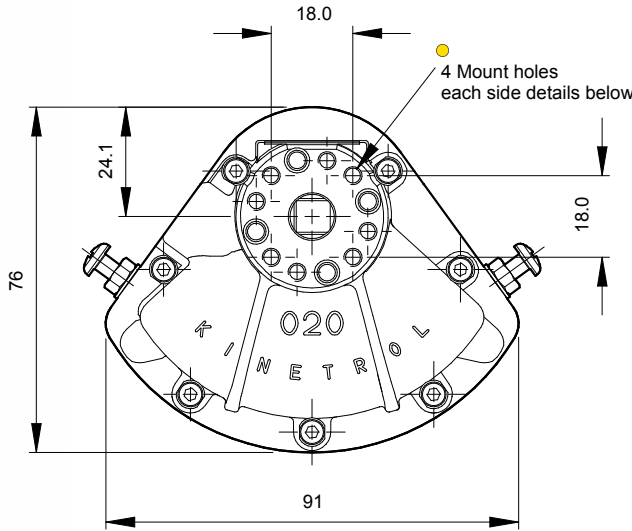
Finish

Epoxy stove enamel

Weight

0.97 lb/0.44 kg
(excluding coupling)

For further information see General Specification on page 47.



Air Port/Mount Hole Details

Model	Air Ports	Mount Holes
024-100	G ¹ / ₈	4 x M4 x 8 deep on 25.5 PCD
027-100	1/ ₈ NPT	4 x 8-32 UNC x 0.32" deep on 1.00" PCD

Options

- Fail safe spring return units - clockwise or counter clockwise see pages 3/4
- 180° model see pages 23/24
- Female drive and mounting details to DIN 3337 and ISO 5211
- Code identification see page 57
- Torque outputs see pages 55/56
- See pages 48-50 for English dimensions and dimensions of spring options
- ISO adaptor see page 6

