

# PM180 Series

## 6-channel Modbus Pyrometer Hub with Data Logging



- Compatible with PyroBus and PyroMini infrared temperature sensors with RS485 Modbus interface
- Operates as Modbus master and isolated Modbus slave
- Configure, display and log data and alarms from up to 6 sensors per PM180 unit, simultaneously or individually
- MicroSD Card stores up to 1 year of data (with 2 GB card)
- Touch screen with backlight
- Scheduled and manual logging start/stop •  
Relay alarms with ICP DAS M-7061 (not included)
- Analogue outputs with ICP DAS M-7024 (not included)
- Temperature chart displays data from 2 channels simultaneously
- CE marked and RoHS compliant

### GENERAL SPECIFICATIONS

#### Display

2.83" (72 mm) resistive touch TFT, 320 x 240 pixels, backlit

#### Supply Voltage

10 to 30 V DC

#### Maximum Current Draw

100 mA

#### Ambient Temperature Range

0°C to 60°C

#### Relative Humidity

Maximum 95%, non-condensing

#### Configurable Parameters (global)

Temperature units, date and time, data logging, graph channels, alarm logging

#### Configurable Parameters (per channel)

Signal processing, emissivity setting, reflected energy compensation, alarms, Modbus address

#### Alarm Configuration

12 alarms (2 per sensor) with adjustable level, individually configurable as HI or LO.

#### Temperature Units

°C or °F selectable

#### Temperature Resolution

0.1°

#### Signal Processing

Average, peak hold, valley hold, minimum, maximum

#### Display Sample Period

120 ms per sensor (720 ms in total for 6 sensors)

#### Compatible Sensor Types

PyroBus (all models), PyroMini (-BB and -BRT models)

### DATA LOGGING

#### Logging Interval

1 to 86,400 seconds (1 day)

#### MicroSD Card

Max. capacity: 32 GB (not included)

#### Internal Clock Battery

1 x BR 1225 3V (not included)

#### Variables Logged

Target temperature, sensing head temperature, alarm events

#### File Format

.csv (can be imported to Excel)

#### Configurable Parameters

Sample period, number of samples, scheduled start date and time

### MECHANICAL SPECIFICATIONS

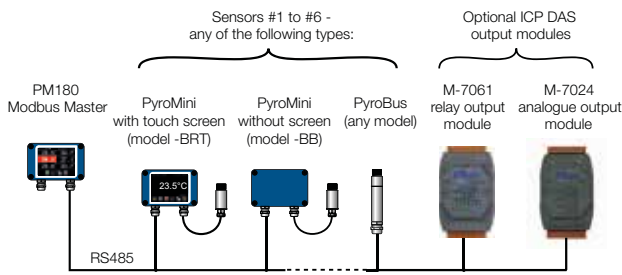
#### Dimensions

98(w) x 64(h) x 36(d) mm excluding cable glands

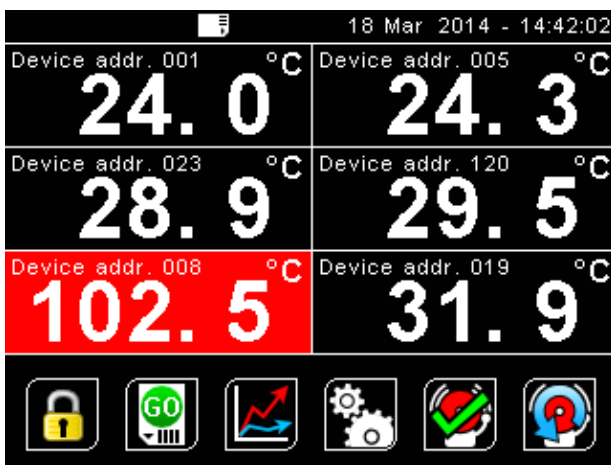
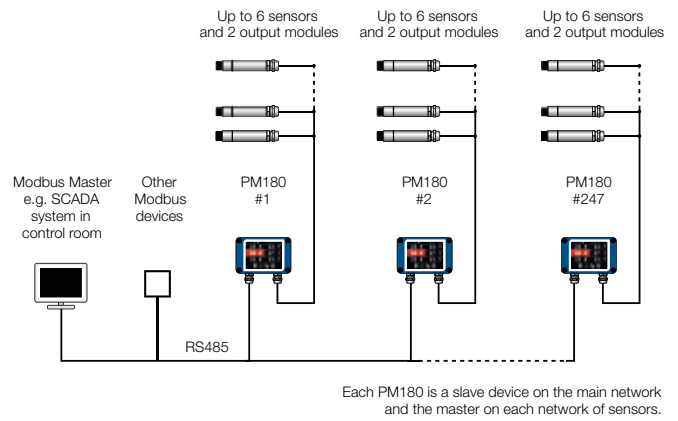
#### Weight

280 g

## PM180 AS MODBUS MASTER

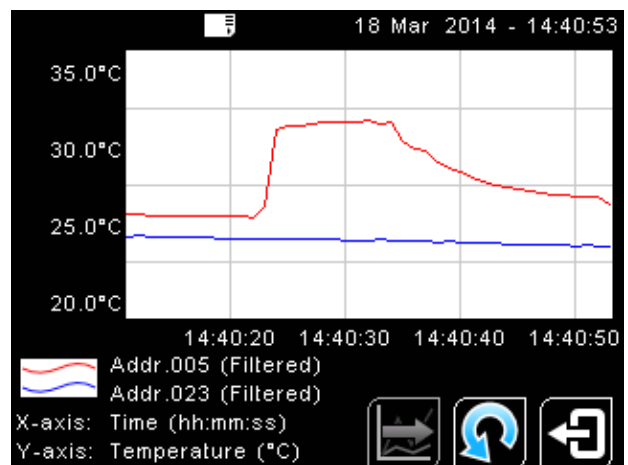


## PM180 AS MODBUS SLAVE



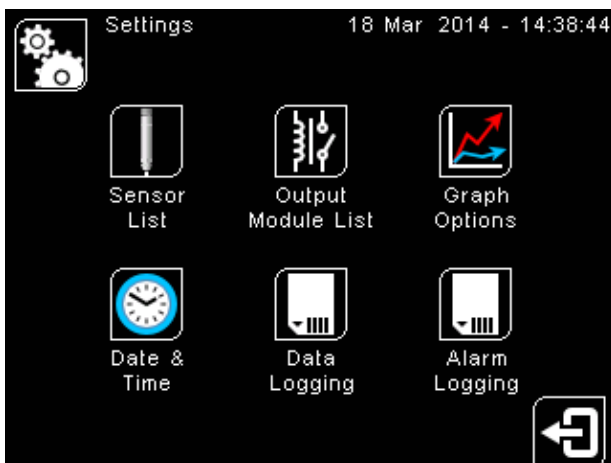
### Intuitive touch screen interface

Display, chart and configure all 6 channels individually or simultaneously. The display for each channel turns red in an alarm condition



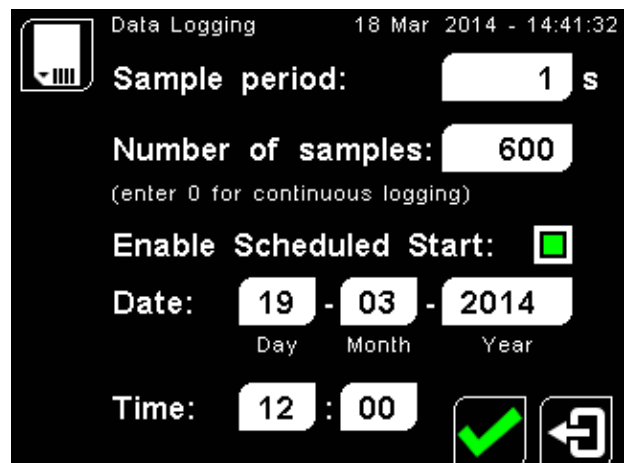
### Temperature chart

Display temperature data from two channels in a scrolling graph



### Password-protected settings

Configure options for each sensor and the PM180 itself via the touch screen interface



### Data logging

Temperature data and alarm events may be logged to a MicroSD Card (not supplied)

## MODEL NUMBERS

### PM180

6-channel Modbus display/logger

## ACCESSORIES

AC adapter **PM180MA**

2 GB MicroSD Card **MSD**

12-channel relay output module **M-7061**

4-channel voltage or current analogue output module **M-7024**

## Calex Electronics Limited

PO Box 2, Leighton Buzzard, Bedfordshire, England LU7 4AZ  
Tel: +44 (0)1525 373178/853800 Fax: +44 (0)1525 851319 Lo-call Tel: 0845 3108053  
E-mail: mail@calex.co.uk Online: http://www.calex.co.uk

Issue A - March 14  
Specifications subject to change without notice