

PyroNFC

Smartphone Configurable Infrared Temperature Sensor



- Non-contact industrial temperature sensor
- Fully configurable via smartphone app
- Choice of voltage or thermocouple outputs • Simultaneous open collector alarm output • Measures from 0°C to 1000°C, accurately and consistently • Extremely small, with side-entry cable: ideal for mounting in tight spaces • Fast response time: 125 ms • Low cost, high performance • Operates in ambient temperatures up to 80°C without cooling • Form factor optimised for brake testing applications, plus many others

APP FEATURES



- Continuously read temperature from PyroNFC sensors
- Instantly configure PyroNFC sensors without powering them
- Simply touch the sensor with the device to communicate
- Compatible with NFC-equipped Android devices
- Get the app free from Google Play Store (search for "PyroNFC")

GENERAL SPECIFICATIONS

Temperature Range

0 to 1000°C

Outputs

2 outputs, configurable via NFC:
0-5, 1-5 or 0-10 V DC output, linear with measured temperature, rescalable, and:
Open collector alarm output with temperature threshold and hysteresis

Field of View

15:1 (see OPTICS)

Accuracy

± 1.5% of reading or ± 1.5°C, whichever is greater

Repeatability

± 0.5% of reading or ± 0.5°C, whichever is greater

Response Time, t_{90}

125 ms

Configuration

Via Android app using NFC-equipped device (e.g. smartphone or tablet)

Emissivity

Adjustable via app

Emissivity Setting Range

0.2 to 1.0

Max Temperature Span (Linear Output)

1000°C

Min Temperature Span (Linear Output)

100°C

Spectral Range

8-14 μ m

Max. Supply Voltage

28 V DC

Min. Supply Voltage (at Sensor)

12 V DC (for 10 V output)

6 V DC (for 5 V or thermocouple output)

Max Current Draw

7 mA

ENVIRONMENTAL

Environmental Rating

IP65

Ambient Temperature Range

0°C to 80°C

Relative Humidity

95% max. non-condensing

CONFORMITY

Electromagnetic Compatibility (EMC)

EN61326-1, EN61326-2-3 (Electrical Equipment for Measurement, Control and Laboratory Use - EMC Requirements - Industrial)

RoHS Compliant

Yes

APP

Configurable Parameters

Temperature range (linear output)
Linear voltage output type and scale
Alarm output threshold and hysteresis
Emissivity setting
Reflected temperature

Temperature Units

°C / °F

Signal Processing

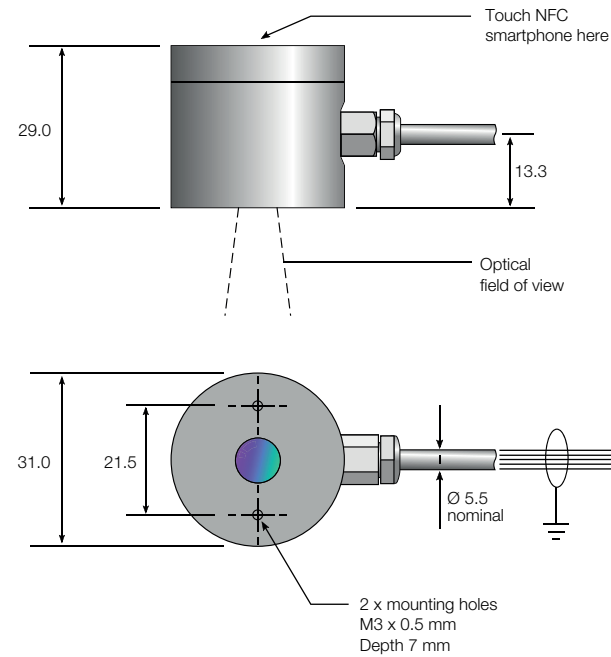
Averaging Period (0.125 to 60 seconds)
Peak / Valley Hold
Hold Period (0.125 to 1200 seconds)

Real Time Temperature Reading

Hold NFC device against sensor for continuous in-app temperature updates

DIMENSIONS AND CONNECTIONS

MODELS WITH TYPE K THERMOCOUPLE OUTPUT



MECHANICAL SPECIFICATIONS

Construction

Black anodised aluminium and ABS

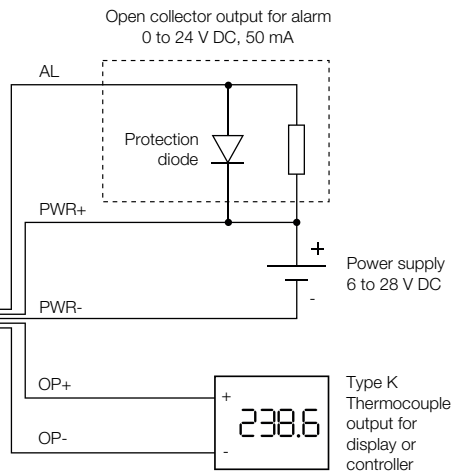
Cable Length

1 metre standard (longer lengths available to order)

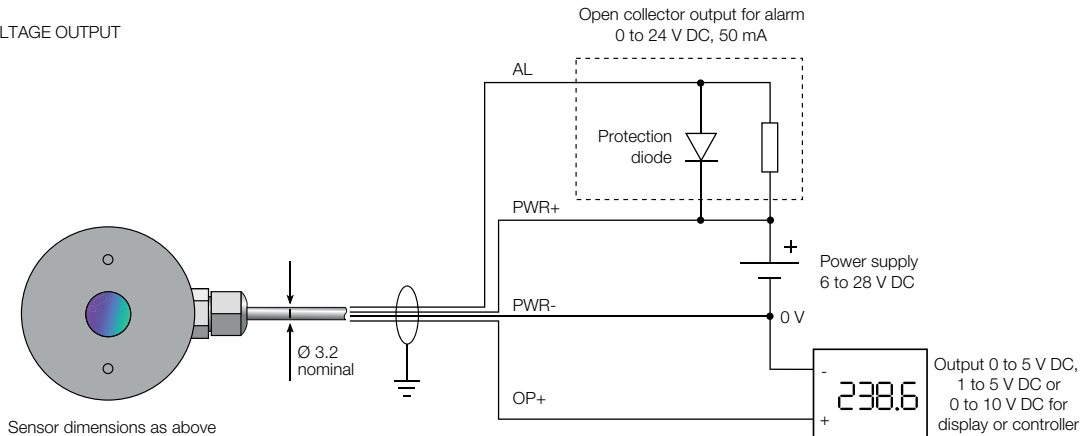
Weight with 1 Metre Cable

65 g (models with voltage output)

100 g (models with Type K thermocouple output)

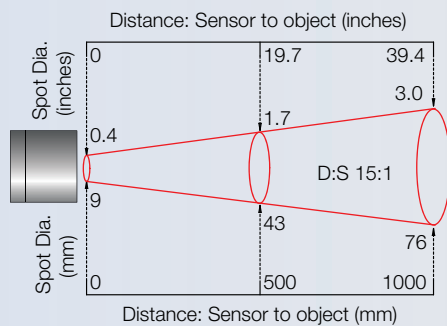


MODELS WITH VOLTAGE OUTPUT



OPTICS

Diameter of target spot measured versus distance from sensing head (90% energy)



MODEL NUMBERS



PN **151** **K**

Outputs (blank) = configurable 0-5 / 1-5 / 0-10 V DC output for measured temperature and open collector alarm output
K = Type K Thermocouple output for measured temperature, and open collector alarm output

Optics
151 = 15:1 divergent optics

Series
PN = PyroNFC infrared temperature sensor with NFC wireless communications and 1 metre cable

ACCESSORIES

Fixed mounting bracket **FBN**

Adjustable mounting bracket **ABN**

Air purge collar **APN**

3-point UKAS traceable calibration certificate **CALCERTA**

Extended cable (30 m max) **PNCE (voltage output) / PNCEK (thermocouple output)**

Calex Electronics Limited

PO Box 2, Leighton Buzzard, Bedfordshire, England LU7 4AZ
 Tel: +44 (0)1525 373178/853800 Fax: +44 (0)1525 851319 Lo-call Tel: 0845 3108053
 E-mail: mail@calex.co.uk Online: <http://www.calex.co.uk>

Issue C - July 2016
 Specifications subject to change without notice